

LED Back-Lit Panel UGR<19

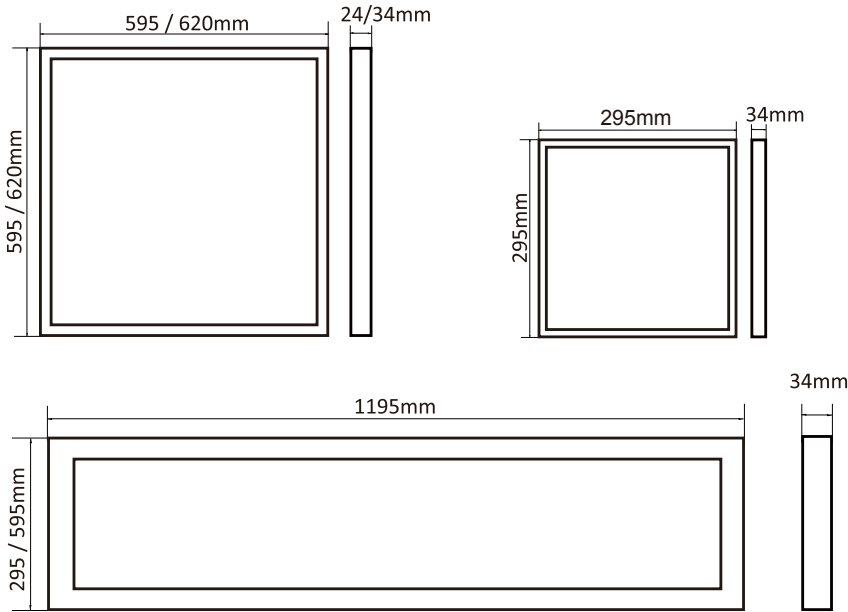


Product Details:

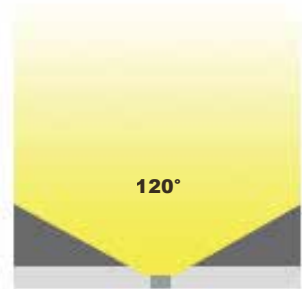
Product Code	Dimension L*W*H [mm]	Power [W]	Input Voltage [V]	Efficiency [lm/W]	Color Temp[K]	CRI	Beam Angle	UGR	LED Chip
ALPBL-3030-18W/120	295*295*34mm	18W	AC200-240V	120lm/W	3000K-6000K	≥80	120°	UGR<19	SMD3030
ALPBL-6060-36W/120	595*595*34mm	36W	AC200-240V	120lm/W	3000K-6000K	≥80	120°	UGR<19	SMD3030
ALPBL-6262-36W/120	620*620*34mm	36W	AC200-240V	120lm/W	3000K-6000K	≥80	120°	UGR<19	SMD3030
ALPBL-12030-36W/120	295*1195*34mm	36W	AC200-240V	120lm/W	3000K-6000K	≥80	120°	UGR<19	SMD3030
ALPBL-12060-54W/120	595*1195*34mm	54W	AC200-240V	120lm/W	3000K-6000K	≥80	120°	UGR<19	SMD3030
ALPBL-6060-36W/100	595*595*24mm	36W	AC200-240V	100lm/W	3000K-6000K	≥80	120°	UGR<19	SMD3030
ALPBL-6262-36W/100	620*620*24mm	36W	AC200-240V	100lm/W	3000K-6000K	≥80	120°	UGR<19	SMD3030



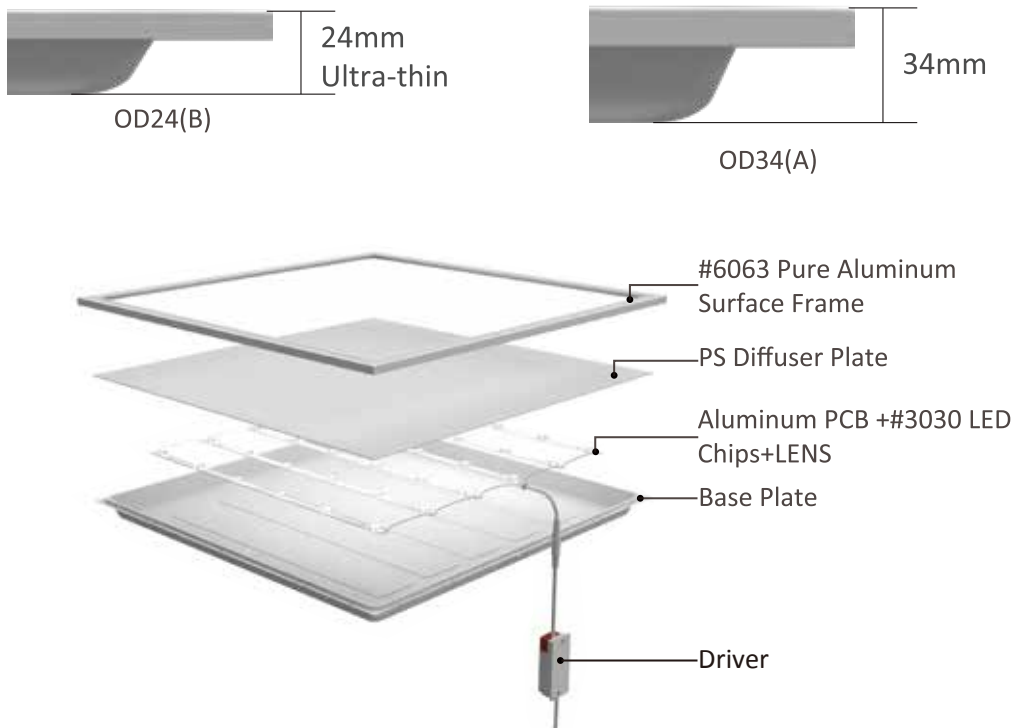
■ **Dimension(mm):**



■ **Beam Angle:**

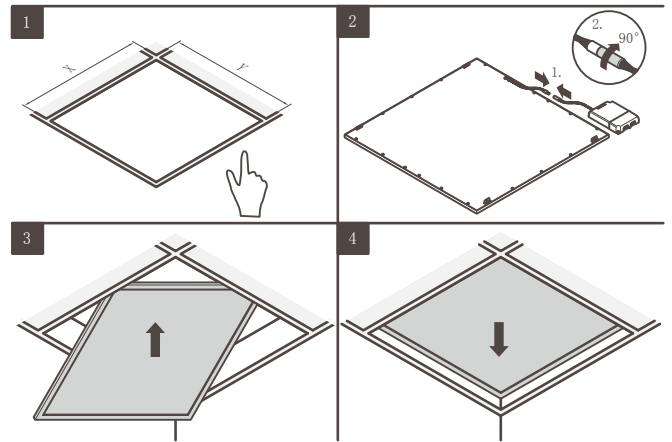


■ **Explosion map:**



Installation Diagram:

Embedded installation

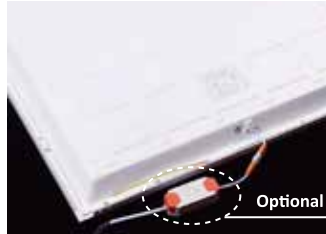


Product Description:

SanAn Chips and Lens

sanan chips use pure gold wire and pure copper bracket, with more stable heat dissipation. The uniform light distribution makes the LED with larger heat dissipation area, and lifespan is up to 7 years.

The lens is made form acrylic material, which makes the light more uniform and soft.



Isolated Driver

Philips/Tridonic/Lifud for optional, high efficiency, PF>0.9, THD<15%, 5 years warranty.



Back board

The back board is made of steel, which will absorb a large portion of heat created by the leds, film laminated surface helps it to be insulated from current, safe for use.



Package Details:

6pcs/ctn

8pcs/ctn

Outer Carton Size:

600*600mm 640*230*640mm
 1200*300mm 1240*230*340mm
 1200*600mm 1275*265*630mm
 1200*200mm 1240*240*230mm
 600*100mm 640*140*230mm
 300*300mm 340*340*230mm
 400*400mm 440*440*230mm

